

Bus module MBK

Thanks to its compact construction, the bus module MBK (IP20) can be easily mounted in shallow control cabinets, terminal boxes and distribution boxes.

The simple construction with the lowest possible plug connections (only field bus and I/O level) makes the system very reliable.

Mounting

The units can be DIN-rail mounted or screwed to the back plate.

Plug in connection technology

The connection is via screw or spring clamp plug in terminals, which allows a fast module change. Coding prevents a mix up in the terminal rows. An extension unit (with 1 or 2 rows of common terminals) can be fitted to the front of the MBK, making additional terminals for 3 or 4 wire sensor connection unnecessary.

Diagnostics

The extensive use of LEDs on the module or over the field bus to the master helps diagnose and locate faults.

Overload protection

All outputs and sensor supplies are short-circuit and overload protected.

Galvanic separation

All the inputs and outputs are optically isolated from the field bus. The separate connections of bus nodes and I/O sector make it easy, to implement emergency OFF circuits.

Labelling

The large exchangeable label strip for the signals and the module can be labelled manually, or with a printer or plotter.

Open bus system

Murrelektronik supports Profibus-DP with the product range MBK.

Module range

The wide range of modules has been designed to cover most industrial applications.

Certification

All units are certified for the respective bus system. The modules also work with modules from other bus module manufactures.

MBK



MBK-P

DI16

DI32

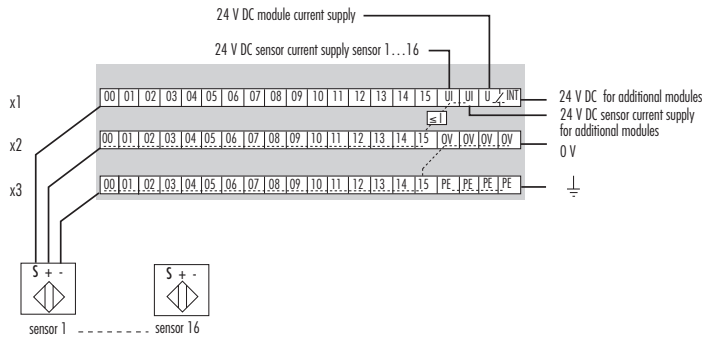
DO16/0.5 A

DI16 DO16/0.5 A

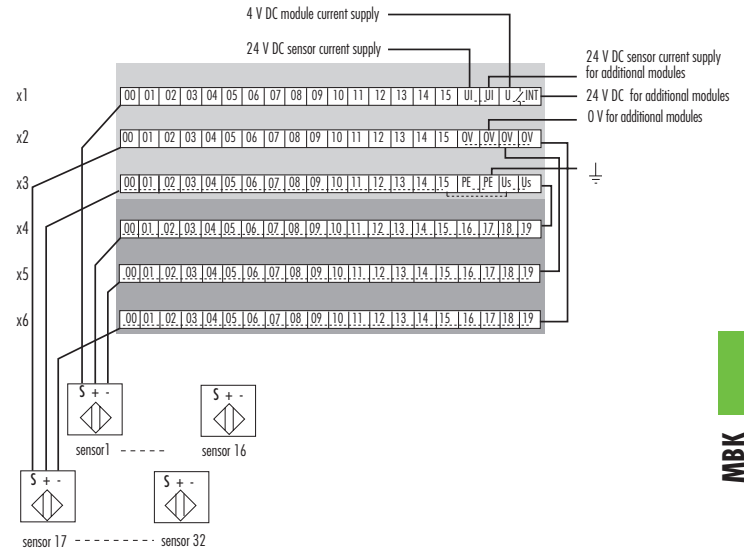
from page 2.4.2

Connection diagram

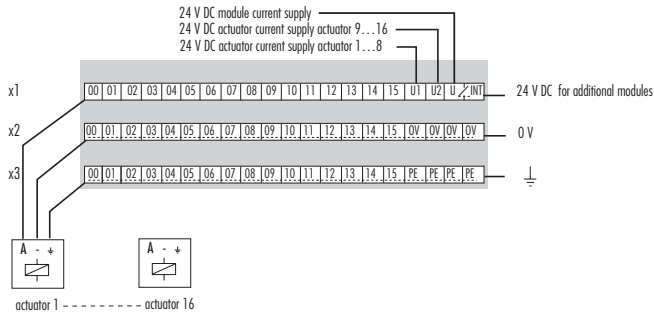
MBK-P DI16 (Art.-No. 55400)



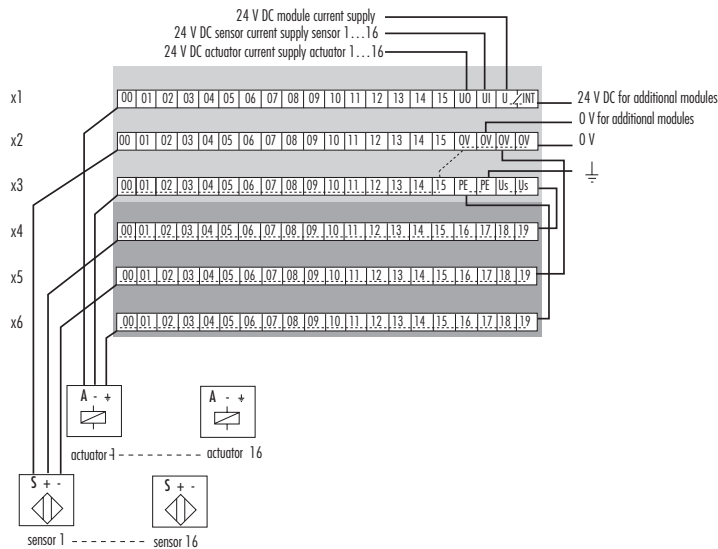
MBK-P DI32 (Art.-No. 55401) with 3-row common terminals



MBK-P DO16/0.5 A (Art.-No. 55402)

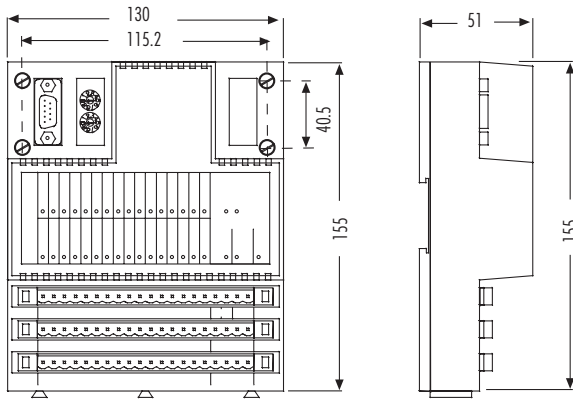


MBK-P DI16 DO16/0.5 A (Art.-No. 55405) with 3-row common terminals



Dimension drawing

Fixing holes
Ø 4.6 mm = M4 screws



Common terminals
for switching additional potentials

