

Accessories

AS-Interface programming device



Ordering data

Art.-No.
55696

Application area

addressing and function test of AS-Interface modules

Connection

via M12-female
or adapter

Functions

addressing of standard and A/B-slaves
slave profile read
data (I/O) read and write
parameter display
periphery fault display
fault alarm display








Operations

via 5 function keys

Delivery content

charging unit
connection cable

Notes

Accessories		Art.-No.
	AS-Interface distributor profile cable - Protection IP65 - Connection 1: AS-Interface profile cable - Connection 2: AS-Interface profile cable - Current capacity 4.5 A	55749
	AS-Interface distributor profile-/round cable - Protection IP65 - Cable entry: 3 x Pg11, 2 pieces of profile seal (included) - Current capacity 16 A	55745
	AS-Interface breakout profile cable -> round cable - Protection IP52 - Connection 1: AS-Interface profile cable - Connection 2: 2-wire round cable Ø 5...6 mm	55740
	AS-Interface breakout profile cable -> PG11 - Current capacity 2 A - Protection IP67 - Connection 1: AS-Interface profile cable - Connection 2: Continuation via standard cable	55732
	AS-Interface profile cable yellow, 2 x 1.5 mm² AS-Interface profile cable black, 2 x 1.5 mm²	55743 55744
	Mounting bracket for AS-Interface profile cable 1 VE = 50 pieces	55742
	AS-Interface breakout profile cable on M12	55741
Accessories MASI20		Art.-No.
	Spring clamp terminal for I/O-level 1 VE = 5 pieces	55213
	Screw terminal for I/O-level 1 VE = 5 pieces	55210
	Label plate for bus and external voltage supply 1 VE = 20 pieces	55219
	Label plate for module 1 VE = 22 pieces	55218
	Isolation terminal for AS-Interface bus connection 1 VE = 5 pieces	55214
	Isolation terminal for external voltage supply 1 VE = 5 pieces	55215
	Screw terminal for AS-Interface bus connection 1 VE = 5 pieces	55211
	Screw terminal for external voltage supply 1 VE = 5 pieces	55212
Accessories MASI65		Art.-No.
	Snap adapter for DIN-rail	55713

Contact layout I/O



Standard module M12



Inputs:

- 1: Sensor supply +
- 2: with PIN 4 bridged
- 3: Sensor supply -
- 4: Input signal
- 5: N/C



Outputs:

- 1: N/C
- 2: N/C
- 3: 0 V
- 4: Output signal
- 5: PE

Module with double used M12 female



Inputs:

- 1: Sensor supply +
- 2: Input signal 2
- 3: Sensor supply -
- 4: Input signal 1
- 5: N/C



Outputs:

- 1: N/C
- 2: Output signal 2
- 3: 0 V
- 4: Output signal 1
- 5: PE

Standard module M8



Inputs:

- 1: Sensor supply +
- 3: Sensor supply -
- 4: Input signal



Outputs:

- 1: N/C
- 3: 0 V
- 4: Output signal

module with Y-wiring



Inputs 10, 12, 14, 16:

- 1: Sensor supply +
- 2: Input signal 11, 13, 15, 17
- 3: Sensor supply -
- 4: Input signal 10, 12, 14, 16
- 5: PE



Inputs 11, 13, 15, 17:

- 1: Sensor supply +
- 2: N/C
- 3: Sensor supply -
- 4: Input signal 11, 13, 15, 17
- 5: PE

Outputs 00, 02, 04, 06:

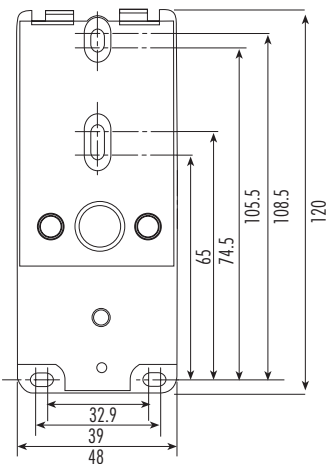
- 1: N/C
- 2: Output signal 01, 03, 05, 07
- 3: 0 V
- 4: Output signal 00, 02, 04, 06
- 5: PE

Outputs 01, 03, 05, 07:

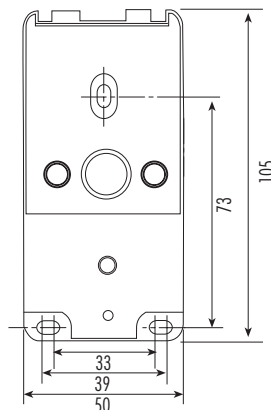
- 1: N/C
- 2: N/C
- 3: 0 V
- 4: Output signal 01, 03, 05, 07
- 5: PE

Drill plans

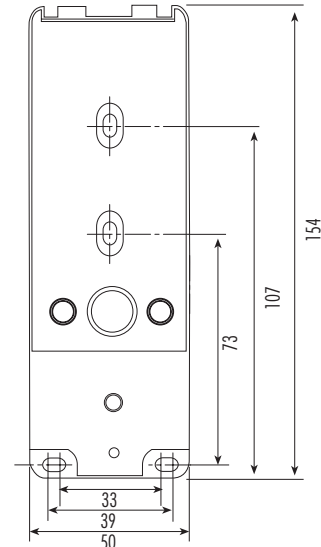
MASI65 modules M8



MASI65 modules M12, 4-way

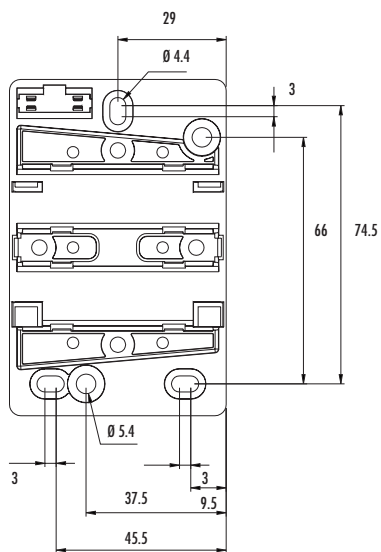


MASI65 modules M12, 8-way

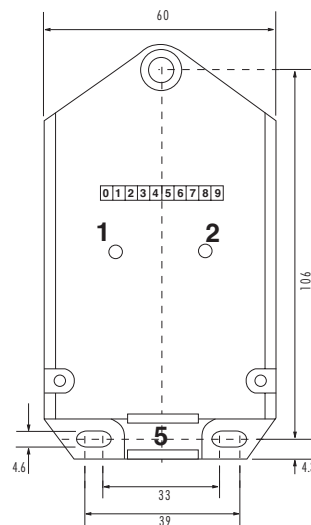


Drill plans

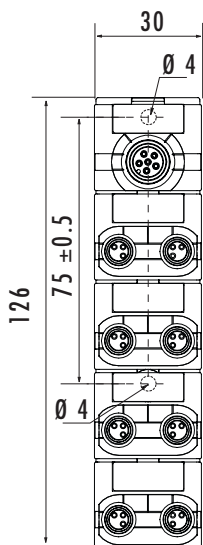
MA SI67 modules



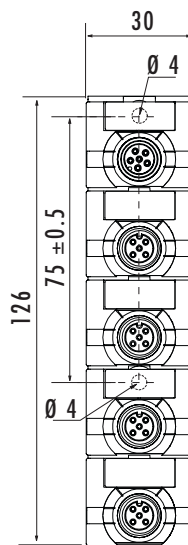
Repeater



MA SI68 modules M8



MA SI68 modules M12, 4-way



MA SI68 modules M12, 8-way

